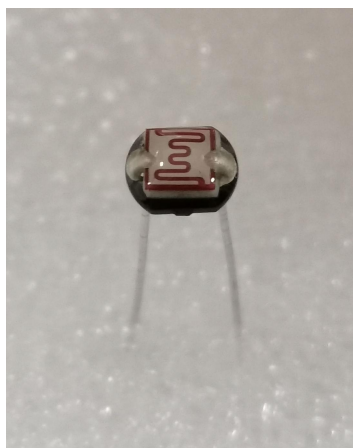
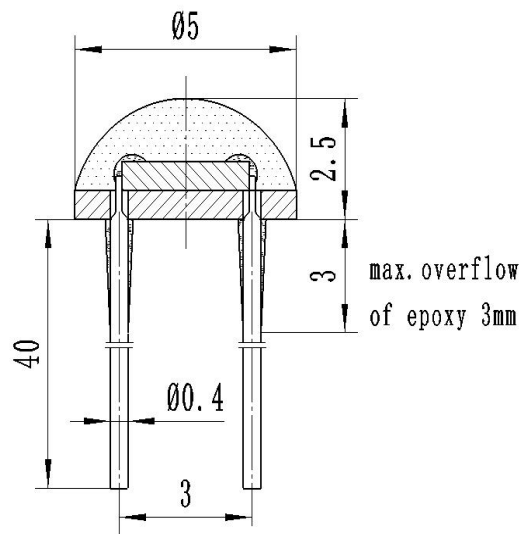
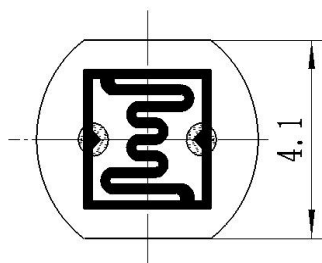


光敏电阻 Photocells

A90 系列 A90 Series



产品实物图



外形尺寸 (单位: mm)

PACKAGE DIMENSIONS (unit: mm)

产品特点 Product features :

- 体积小 Compact size
- 灵敏度高 High sensitivity
- 可靠性好 Reliable performance
- 光谱特性好 Good characteristic of spectrum

25°C参数值

ELECTRO-OPTICAL CHARACTERISTICS @25°C

型号 Type	亮电阻 Light Resistance [10Lux] [KΩ]	暗电阻 Dark Resistance Min. [5s] [MΩ]	$\gamma_{10/100}$ typ.	使用温度 $T_{op.}$ range [°C]	最大电压 $V_{max.}$ [V]	最大功耗 $P_{max.}$ [mW]	光谱峰值 $\lambda_{typ.}$ [nm]
A906009	4-11	0.12	0.65	- 30 ~ + 70	100	90	600
A906011	9-20	0.18	0.65	- 30 ~ + 70	150	90	600
A906012	16-33	0.5	0.7	- 30 ~ + 70	150	90	600
A906013	27-94	1.5	0.8	- 30 ~ + 70	150	90	600
A906014	77-340	5	0.85	- 30 ~ + 70	150	90	600
A906031	60-130	1.2	0.65	- 30 ~ + 70	300	90	600
A906032	120-210	3	0.7	- 30 ~ + 70	300	90	600
A906033	200-580	9	0.8	- 30 ~ + 70	300	90	600
A905012	18-44	0.45	0.65	- 30 ~ + 70	150	90	530
A905013	36-88	1.2	0.7	- 30 ~ + 70	150	90	530
A905014	70-200	3	0.75	- 30 ~ + 70	150	90	530



测试条件 Measuring Conditions:

1. 亮电阻 Light resistance:
用 400-600Lux 光照射 60 分钟后, 在标准光源 A(色温 2856K)下, 用 10Lux 光测量。
Measured at 10 Lux with standard light A (2856K color temperature) and 60 minutes illumination at 400-600 Lux prior testing.
2. 暗电阻 Dark Resistance:
关闭 10Lux 光照后第 5 秒的电阻值。
Measured 5 seconds after closed 10 Lux.
3. γ : 10Lux 和 100Lux 照度下的标准值 $\gamma = \lg(R_{10}/R_{100})$. γ 的公差为 ± 0.15 。
Gamma Characteristic: Between 10 Lux and 100 Lux and given by $\gamma = \lg(R_{10}/R_{100})$,
The error of γ is ± 0.15 .
4. 最大功率损耗 W_{max} : 环境温度为 25°C时的最大功率。
Max. power dissipation at ambient temperature of 25 °C.
5. 最大外加电压 V_{max} : 在黑暗中可连续施加给元件的最大电压。
Max. voltage in darkness that may be applied to the cell continuously.

焊接条件 Soldering condition requirements:

- 焊接温度 : 小于 260°C Temperature:less than 260°C
- 焊接时间 : 小于 3 秒 Time:less than 3 seconds
- 焊接距离 (距离基板底部) : 大于 3mm Distance from case:more than 3mm

包装及注意事项 Packaging and Matters needing attention:

1. 本产品采用环保材料包装, 100 只/袋, 1000 只/盒, 10000 只/内箱, 40000 只或 60000 只/外箱
This product is packed with environment friendly materials, 100 per bag, 1000 per box, 10000 per inner carton, 40000 or 60000 per master carton.
2. 本系列光敏电阻含有镉元素(Cd), 除了镉之外的其他元素都符合 RoHs 标准 (本司另有符合 RoHs 标准的光敏电阻)。本品使用后不宜被随意抛弃。
This series of this type photocells contain the element Cadmium(Cd),and except the Cd,all the other elements are RoHs compliant(Our company also has RoHs compliant photocells being manufactured)).After being used,the products should not be abandoned at will.
3. 储存环境 : 温度 : -30- + 70°C, 湿度 : $\leq 75\%$, 避光, 无腐蚀性化学气体。
Storage environment:temperature:-30-70 degree,humidity: $\leq 75\%$. being protected from light. No corrosive chemical gas.